

Culvert Replacement Addendum 1

Includes culvert replacements on Baseline Rd., Hubbard Rd., & Hamilton Rd. in Bedford Twp. & 12 Mile Rd. in Pennfield Twp.

Question: *Is it possible for the project completion deadline to be extended?*

Answer: Yes. Project completion deadline for all culverts will be extended to August 21, 2017.

Question: *Will shop drawings be provided for box culverts?*

Answer: A shop drawing will be provided for the Baseline Rd. box culvert (see attached).

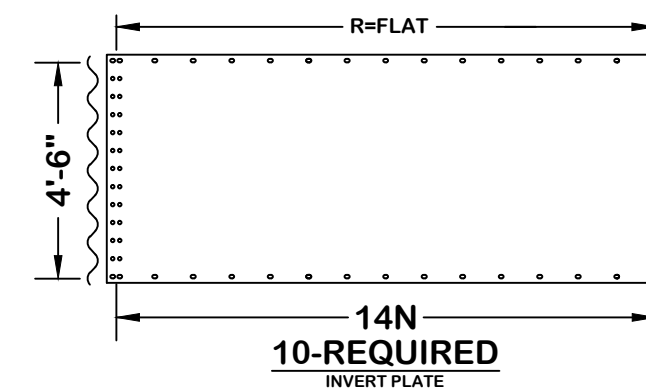
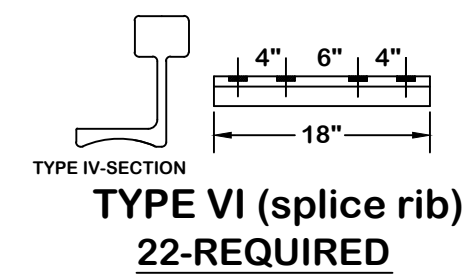
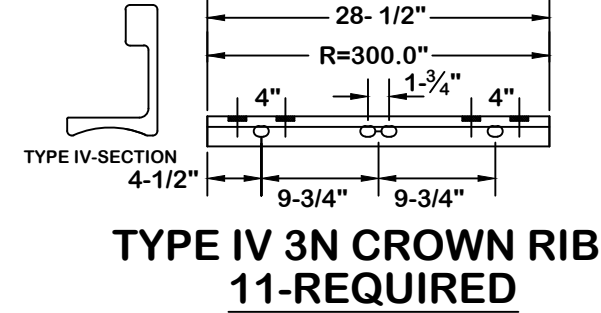
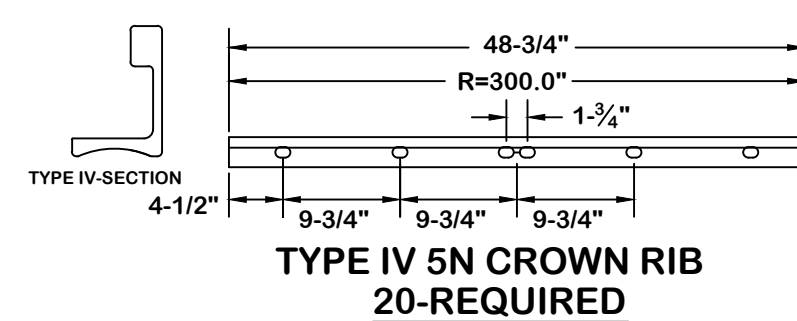
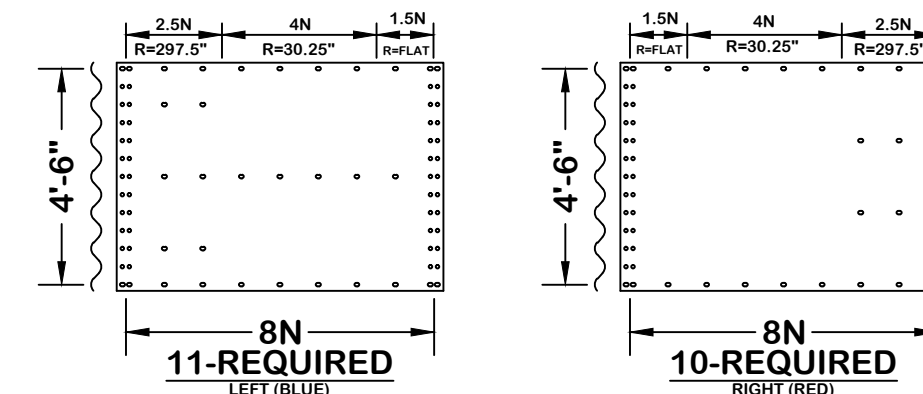
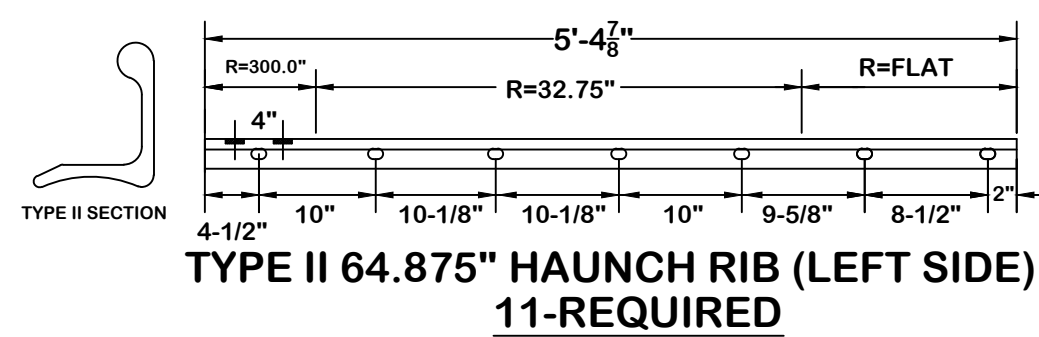
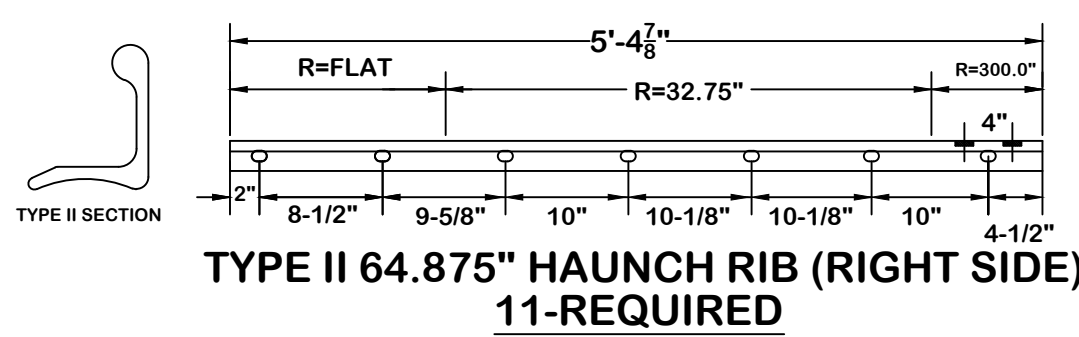
Question: *The State of Michigan will issue a 6% use tax on the value of material purchased by the Calhoun County Road Department to be used by the contractor. Please provide prices for all culverts purchased.*

Answer:

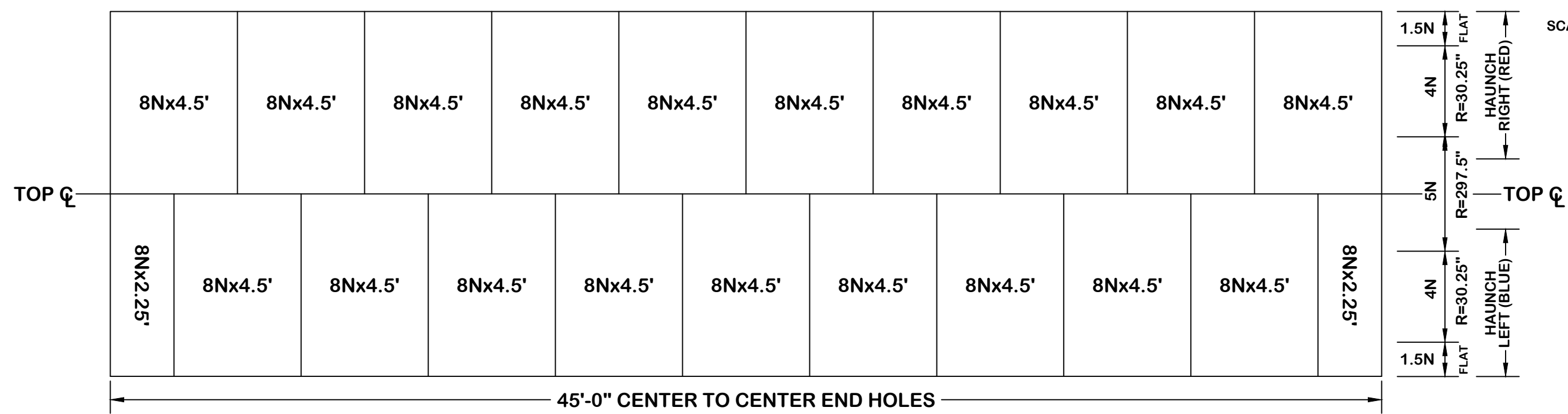
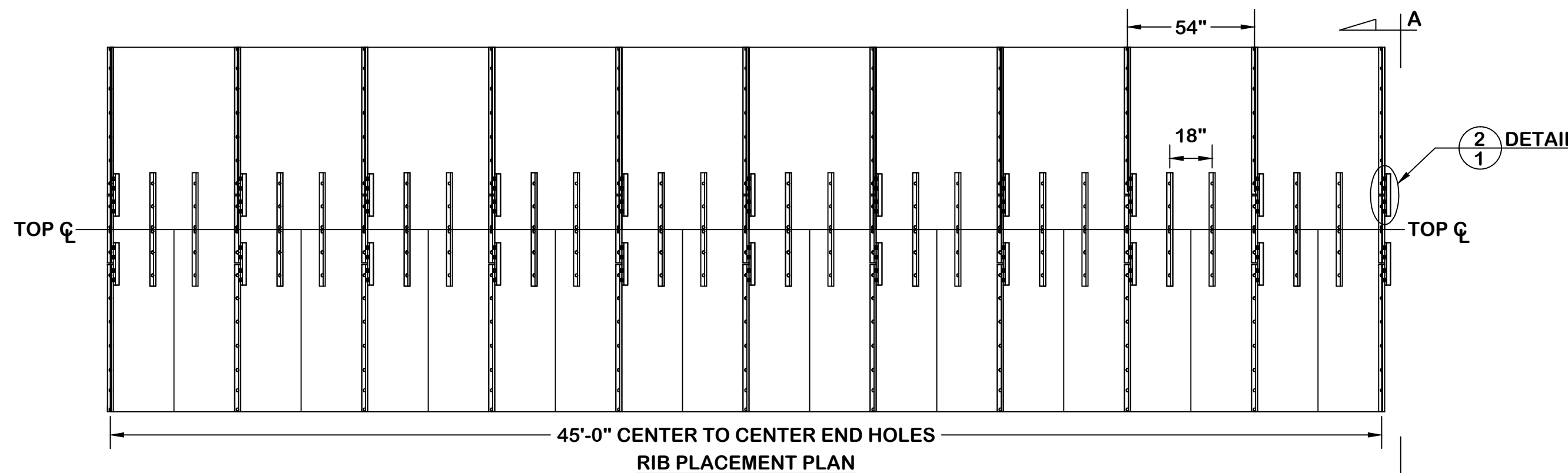
Baseline Rd.:	\$15,097.65
Hamilton Rd.:	\$17,983.00
12 Mile Rd.:	\$12,043.32
Hubbard Rd.:	\$3,834.60

GENERAL NOTES:

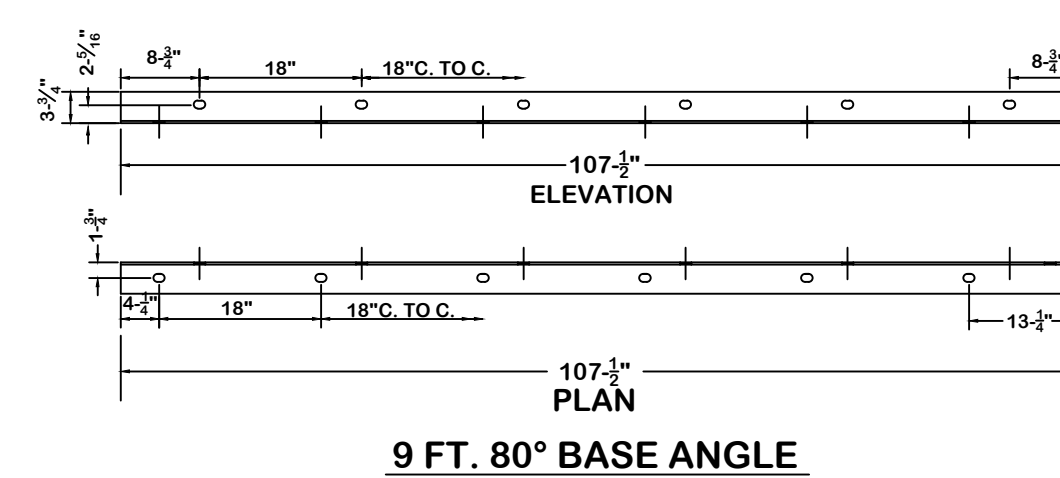
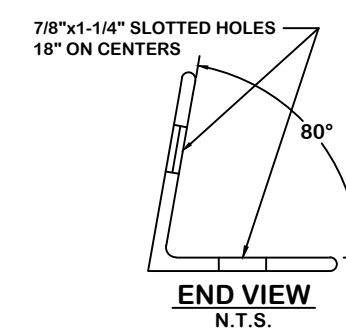
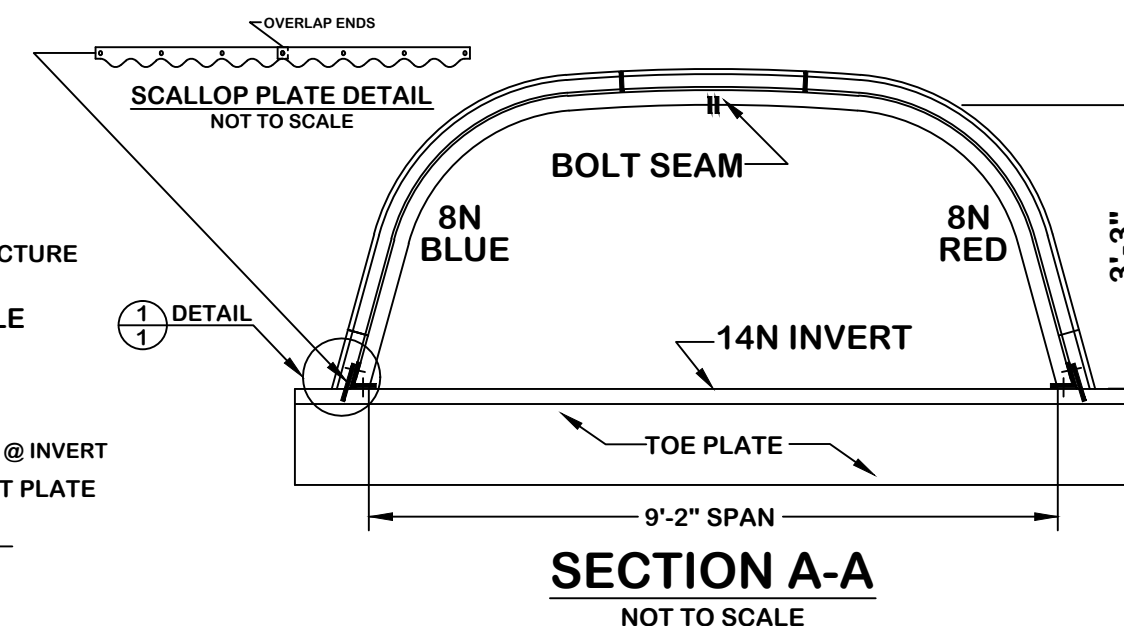
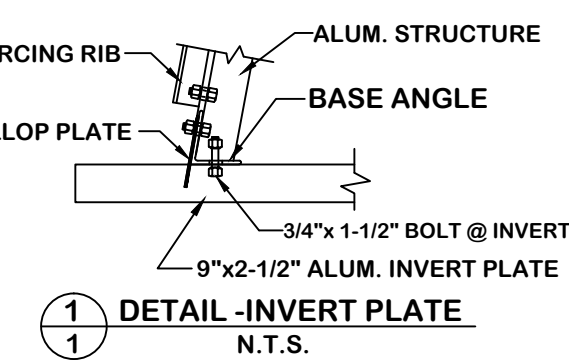
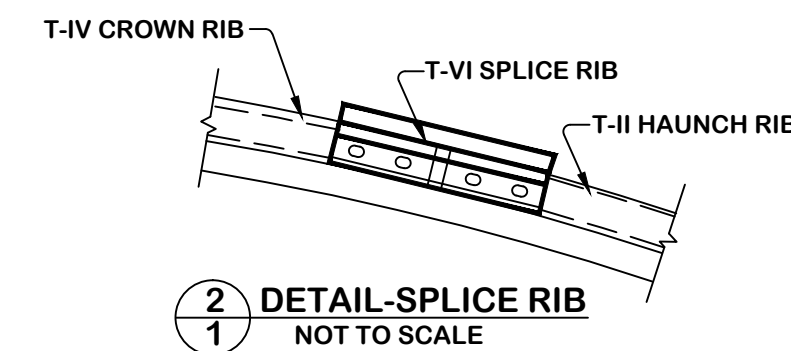
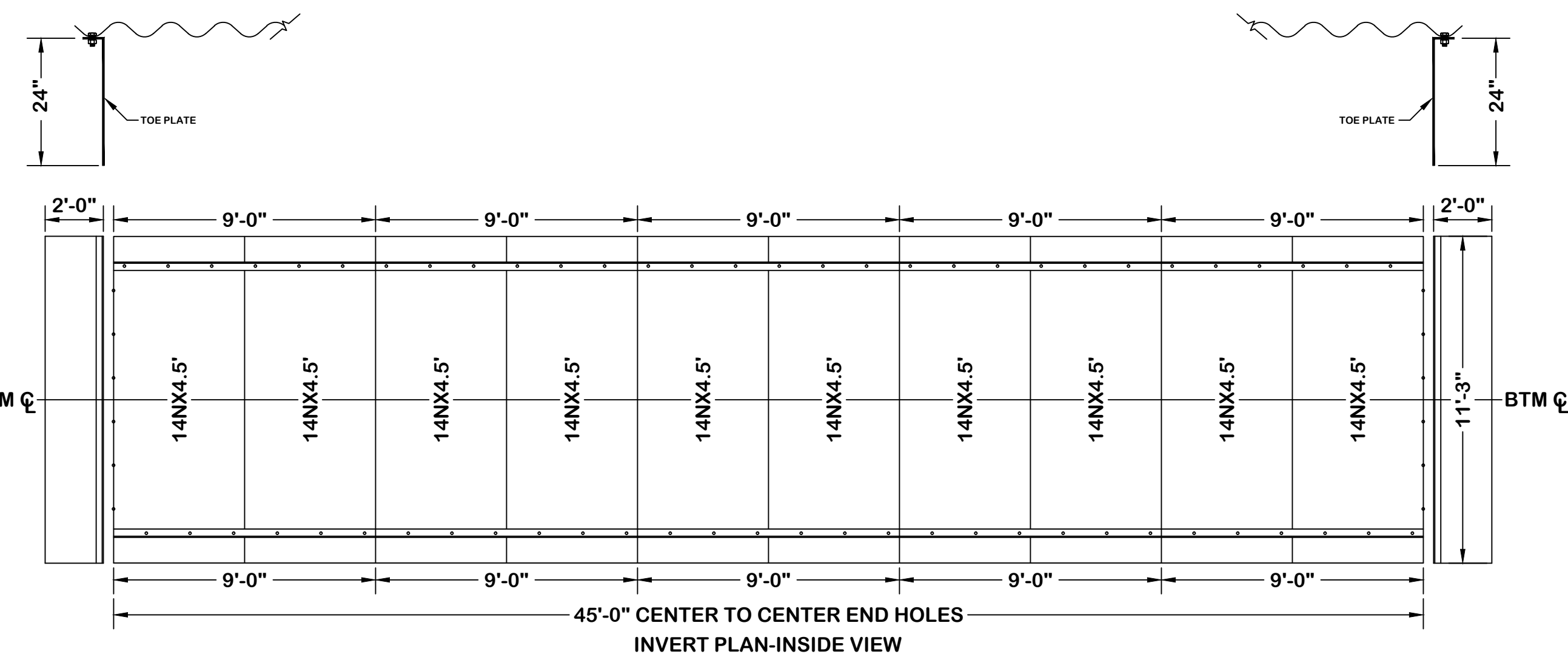
- BOLT HEADS MAY BE PLACED EITHER IN THE VALLEY OR ON THE CREST OF THE CORRUGATION.
- CORRUGATED METAL CULVERTS ARE FLEXIBLE BY NATURE AND THEREFORE DERIVE STRUCTURAL STABILITY FROM THE STRENGTH AND RELATIVE STIFFNESS OF THE SURROUNDING BACKFILL MATERIAL. IT IS THE RESULTING SOIL-CULVERT INTERACTION SYSTEM THAT DEFINES THE ABILITY OF A FLEXIBLE METAL CULVERT TO WITHSTAND THE DEFINED SERVICE LOADS. FOR THIS REASON SPECIFICATIONS ADDRESSING APPROPRIATE BACKFILL MATERIAL SELECTION AND COMPACTION LEVELS MUST BE INCLUDED IN THE PROJECT DOCUMENTS. IN THE ABSENCE OF SUCH DOCUMENTATION IT IS RECOMMENDED THAT APPLICABLE STANDARDS PUBLISHED FOR FLEXIBLE METAL CULVERTS ARE SECURED FROM ASTM OR AASHTO. IT SHALL BE THE RESPONSIBILITY OF THE OWNER AND/OR ITS AGENTS (PURCHASER, ENGINEER, CONTRACTOR, ET AL.) TO ENSURE PROPER BACKFILL SPECIFICATIONS AND INSTALLATION METHOD.
- DRAWINGS CONFORM TO THE ENGINEERING SITE DESIGN (BY OTHERS) WITH NO ASSUMPTIONS AS TO FIT AND CONFORMANCE. LANE HAS NOT PERFORMED SITE ENGINEERING SERVICES ON THIS PROJECT AND NO ATTEMPT HAS BEEN MADE TO VERIFY THE SAME. IT SHALL BE THE RESPONSIBILITY OF THE PROJECT ENGINEER TO REVIEW THIS DRAWING FOR COMPLIANCE WITH ALL APPLICABLE SITE PARAMETERS AND REGULATIONS.



9\"/>



IT IS THE RESPONSIBILITY OF THE ERECTOR TO ASSURE PROPER PLACEMENT OF THE PLATES AS SHOWN ON THE DEVELOPED PLAN AND OUTLINED IN THE ASSEMBLY REQUIREMENTS.



FLOW

FOR APPROVAL ONLY
SIGNATURE _____
DATE _____
NOT FOR CONSTRUCTION
ONE STRUCTURE

BILL OF MATERIALS

CORRUGATING REQUIREMENTS					CURVING REQUIREMENTS					
PCS.	THNS.	N	LEN.	HEAT NO.	PCS.	RADIUS	THNS.	N	LEN.	REMARKS
11	.125	8	4.5'	X	11	297/30/FLAT	.125	8	4.5'	LEFT (BLUE) HAUNCH
10	.125	8	4.5'	X	10	FLAT/30/297	.125	8	4.5'	RIGHT (RED) HAUNCH
6	.150	2	66"	X	6	FLAT	.150	2	66"	TOE PLATES
10	.100	14	4.5'	X	10	FLAT	.100	14	4.5'	INVERT PLS.
37					37					

ASSEMBLY REQUIREMENTS									
HEAT NO.	RADIUS	MK	PCS.	SHIP	N	LEN.	THNS.	REMARKS	
X	297/30/FLAT		9	11	4.5'	.125		LEFT HAUNCH PLATES	
X	297/30/FLAT		2	11	2.25'	.125		SCP FROM (2)11NX4.5'	
X	FLAT/30/297		10	11	4.5'	.125		LEFT HAUNCH PLATES	
X	FLAT		10	14	4.5'	.100		INVERT PLATES	
	FLAT		2		11'-3"	.150		TOE PLATE W/90° ANGLE	
			20		4.5'	.100		SCALLOP PLATES	
			10		9.0'	1/4		80° BASE ANGLE	

	300.0"	20	5	48.8"	T-IV	CROWN RIB
	300.0"	11	3	28.5"	T-IV	CROWN RIB
	300/32/FLAT	11	6.5	64.875"	T-II	CROWN/HAUNCH (LEFT)
	FLAT/32/300	11	6.5	64.875"	T-II	HAUNCH/CROWN (RIGHT)
	FLAT	22		18"	T-VI	SPLICE RIB
		75				REINFORCING RIBS
		31				CORR. PLATES

SHIPMENT SUMMARY			ACCESSORIES		
NO. PCS.	ITEM	NOTES	NO. PCS.	ITEM	NOTES
460	3/4\"/>				
400	3/4\"/>				
340	3/4\"/>				
	3/4\"/>				
	3/4\"/>				
1200	3/4\"/>				
	3/4\"/>				
1	APEX RIB SOCKET				

SPECIFICATIONS : **AASHTO M-219**
 APPROX. SHIP. WT. **3,694#**
 CUSTOMER: **JENSEN BRIDGE & SUPPLY**
400 STONEY CREEK DRIVE
SANDUSKY, MI 48471
 PROJECT: **JENSEN BRIDGE & SUPPLY**
PO#J28048
1@45'-0\"/>

DRAWN BY:	CHECKED BY:	APPROVED BY:	DATE:	SCALE:	NO.	DATE	BY	NOTES
"TJG"	BJT		4-3-2017	1/4"=1'-0"	1			
					2			



LANE METAL PRODUCTS DIVISION
of LANE ENTERPRISES, INC.
PULASKI, PA.

ORDER NUMBER
331984
DATE ISSUED:
4-3-2017